

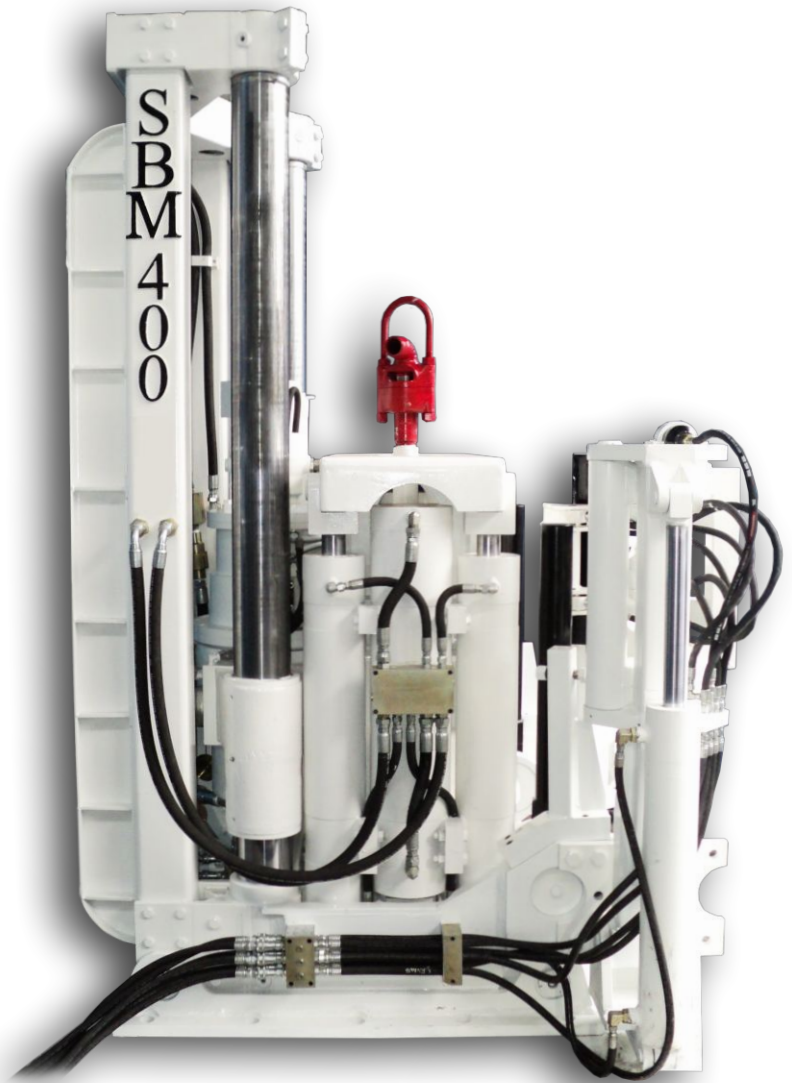
**RAISE
BORE**

MODEL 400

Here is a complete system for drilling long holes and boring raises as large as 7 ft (2.10 m) in diameter and up to 1,250 ft (380 m) in length. System includes an Electro-hydraulic Power Pack with integral controls, a Remote Control Station plus tools to make or break threaded pipe connections.

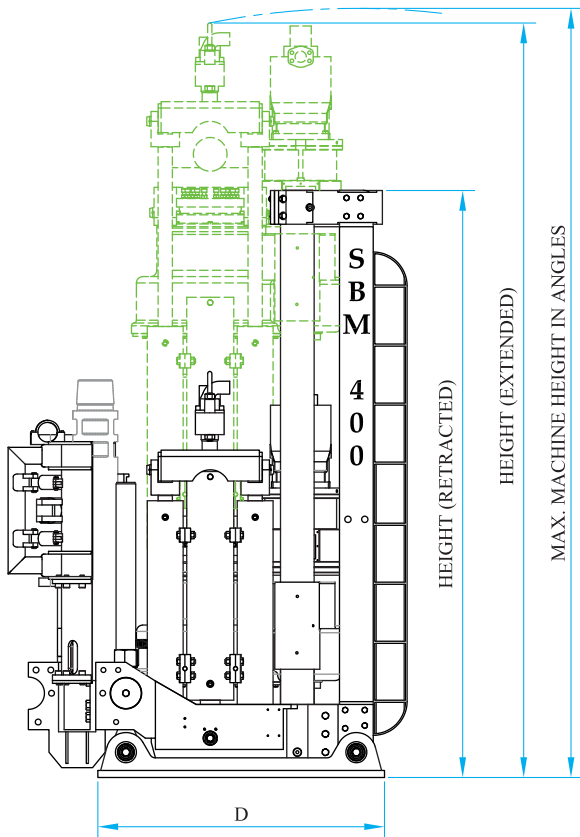
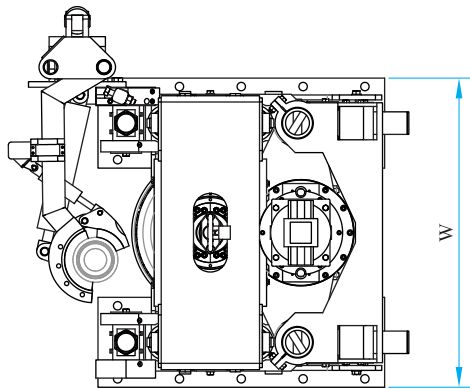
Infinitely variable speed and constant torque of the hydraulic drive enable you to adjust rotary speed to exactly match your drilling conditions. Two models are available: the 400 SP using 10 in x 5 ft pipes and the 400 LP using 8 in x 4 ft pipes.

The tandem hydraulic cylinder mechanism is the basis for the design of the SBM 400 which allows LP machines to be set up for vertical drilling in a station height of only 11 1/2 ft (3.5 m).



MODEL SBM 400

PERFORMANCE SPECIFICATIONS



(*) The larger capacities are possible in certain rock conditions.
 (**) At 5,000 psi (35 Mpa).
 (***) Includes Pipe Positioner weight.
 (*iv) Up to 5 ft hole diameters.

SBM 400 LP & SP

Nominal Diameter Capacity (*)	7 ft 2.1 m
Nominal Length Capacity (*)	1,250 ft 380 m
Total Installed Horsepower	200 hp 150 kW
Reaming Thrust (**)	384,000 lbf 1,710 kN
Max. Torque	60,000 lbf-ft 81 kN-m
Dip Angle Adjustment	45° - 90°

DIMENSIONAL DATA

	SBM 400 LP	SBM 400 SP
Machine Width (W)	4 ft 7 in 1,400 mm	4 ft 7 in 1,400 mm
Machine Height - Extended	11 ft 3 in 3,430 mm	12 ft 10 in 3,920 mm
Machine Height - Retracted	8 ft 9 in 2,670 mm	9 ft 8 in 2,950 mm
Max. Machine Height in Angles	11 ft 5 in 3,480 mm	13 ft 1 in 4,000 mm
Machine Depth (D)	4 ft 3 in 1,300 mm	4 ft 3 in 1,300 mm
Weight (***)	12,100 pounds 5,500 kg	15,800 pounds 7,200 kg
Drill Pipe	8 in x 4 ft (*iv) 203 mm x 1.2 m	10 in x 5 ft 254 mm x 1.5 m
Optional	10 in x 4 ft 254 mm x 1.2 m	

AV. GUILLERMO DANSEY 2140 * LIMA 1 * (511) 336-7725 * FAX (511) 336-7842 * www.tumiraiseboring.com * PERU
 13651 WEST 43rd DRIVE * GOLDEN, CO 80403 * (303) 233-2856 * FAX (303) 274-1634 * www.stublattner.com * USA