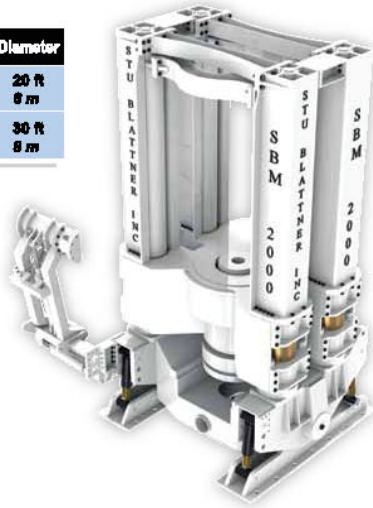


# MACHINES

## SBM 2000

Length	Diameter
7,500 ft 2,300 m	20 ft 6 m
5,900 ft 1,800 m	30 ft 9 m



## SBM 900

Length	Diameter
2,800 ft 800 m	10 ft 3 m
800 ft 250 m	21 ft 6.5 m



## SBM 800

Length	Diameter
2,800 ft 800 m	10 ft 3 m
1,500 ft 460 m	20 ft 6 m



## SBM 700

Length	Diameter
2,300 ft 700 m	8 ft 2.4 m
1,300 ft 400 m	15 ft 4.6 m



## SBM 450

Length	Diameter
1,800 ft 500 m	4 ft 1.2 m
700 ft 200 m	12 ft 3.6 m



## SBM 400

Length	Diameter
1,800 ft 500 m	4 ft 1.2 m
700 ft 200 m	12 ft 3 m



The larger capacities are possible in certain rock conditions.

## SBM 400 SR

### SLOT RAISES

Length	Diameter
330 ft 100 m	5 ft 1.5 m



## SBX 27

Length	Diameter
200 ft 60 m	4 ft 1.2 m
200 ft 60 m	2 ft.4 in 0.7 m



# CAPACITIES

		SBM 2000		SBM 800		SBM 700		SBX 27		SBM 400 (all models)		CRAWLER SPECIFICATIONS (SMB 400 SR)	
Range of Capabilities (*)	Length	7,500 ft 2,300 m	5,900 ft 1,800 m	2,600 ft 800 m	1,500 ft 450 m	2,300 ft 700 m	1,300 ft 400 m	200 ft 60 m	200 ft 60 m	1,600 ft 500 m	700 ft 200 m		Max. Speed 3 mph 4.8 km/h
	Diameter	20 ft 6 m	30 ft 9 m	10 ft 3 m	20 ft 6 m	8 ft 2.4 m	15 ft 4.6 m	4 ft 1.2 m	2 ft 4 in 0.7 m	4 ft 1.2 m	12 ft 3 m		
Total Installed Horsepower		900 hp 671 kW		400 hp 300 kW		300 hp 225 kW		200 hp 150 kW		200 hp 150 kW			Diesel Engine Power @ 2500 RPM 138 Hp 103 kW
Reaming Thrust (**)		4,100,000 lbf 1,050 kN-m		1,140,000 lbf 5,000 kN		760,000 lbf 3,390 kN		384,000 lbf 1,700 kN		384,000 lbf 1,170 kN			
Max Torque		775,000 lbf 18,240 kN		200,000 lbf-ft 270 kN-m		158,000 lbf-ft 214 kN-m		46,000 lbf-ft 60 kN-m		81 kN-m			Max. Gradient 15°
Dip Angle		45°-90°		45°-90°		45°-90°		90°		30°-90°			

Boxhole Drilling

For the 400 SR Maximum diameter of 2.4 m Dip Angle: 30°-90°

# WEIGHTS AND DIMENSIONS

	SBM 2000		SBM 800		SBM 700		SBX 27		SBM 400		SBM 400 SR
Machine Width	12 ft 3,658 mm		7 ft 6 in 2,300 mm		6 ft 2 in 1,880 mm		4 ft 10 in 1,480 mm		4 ft 7 in 1,400 mm	4 ft 7 in 1,400 mm	7 ft / 2,140 mm
Machine Height Extended	25 ft 4 in 7,722 mm		15 ft 2 in 4,620 mm		13 ft 2 in 4,020 mm		9 ft 7 in 2,930 mm		11 ft 3 in 3,430 mm	12 ft 10 in 3,920 mm	12 ft 6 in / 3,800 mm
Machine Height Retracted	18 ft 5,486 mm		12 ft 6 in 3,810 mm		10 ft 6 in 3,200 mm				8 ft 9 in 2,670 mm	9 ft 8 in 2,950 mm	10 ft 5 in / 3,180 mm
Max. Machine Height in Angles	25 ft 4 in 7,722 mm		15 ft 5 in 4,700 mm		13 ft 8 in 4,170 mm		10 ft 8 in 3,260 mm		11 ft 5 in 3,480 mm	13 ft 1 in 4,000 mm	12 ft 7 in / 3,820 mm
Machine Depth	9 ft 3 in 2,819 mm		7 ft 4 in 2,240 mm		5 ft 1 in 1,550 mm		6 ft 1 in 1,860 mm		4 ft 3 in 1,300 mm	4 ft 3 in 1,300 mm	12 ft 3 in / 3,710 mm
Weight (***)	100,000 lbs 45,359 kg		48,000 lbs 21,800 kg		30,000 lbs 13,650 kg		22,000 lbs 10,000 kg		12,100 lbs 5,500 kg	15,800 lbs 7,200 kg	18,000 lbs / 8,160 kg
Drill Pipe	11 1/4 in x 5 ft mm x 1.5 m	286	10 in x 5 ft mm x 1.5 m	254	10 in x 5 ft mm x 1.5 m	254	10 in x 3 ft mm x 0.9 m	254	8 in x 4 ft (*iv)	10 in x 5 ft	10 in x 3 ft mm x 0.91 m
	12 7/8 in x 5 ft mm x 1.5 m	327	11 1/4 in x 5 ft mm x 1.5 m	286	11 1/4 in x 5 ft mm x 1.5 m	286	11 1/4 in x 3 ft mm x 0.9 m	286	203 mm x 1.2 m	254 mm x 1.5 m	
Height Workplace	27 / 8.2 m		16 1/2 ft / 5 m		15 ft / 4.5 m		11.5 ft / 3.5 m		12.5 ft / 3.8 m	14 ft / 4.2 m	13 ft 6 in / 4.1 m
									400 LP Model	400 SP Model	Transport Height: 8 ft 3 in / 2,520 mm
											Transport Length: 11 ft 1 in / 3,380 mm
											Transport Width: 7 ft / 2,140 mm

(\*) The larger capacities are possible in certain rock conditions

(\*\*) SBM 2000, SBM 400, and SBX 27 at 5,000 psi (35 Mpa) - SBM 800 and SBM 700 at 6,000 psi (41 Mpa)

(\*\*\*) Include Pipe Positioner weight

(\*iv) Up to 5 ft hole diameters

Optional transporters: Crawler Sled.